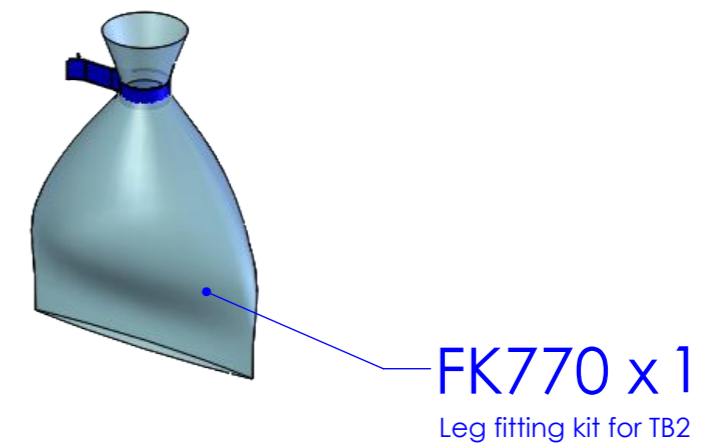
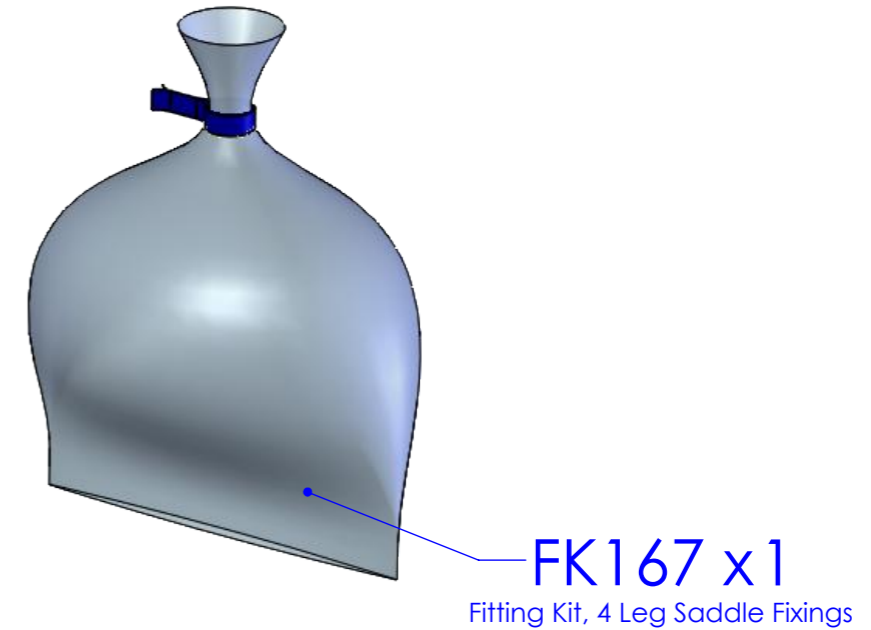
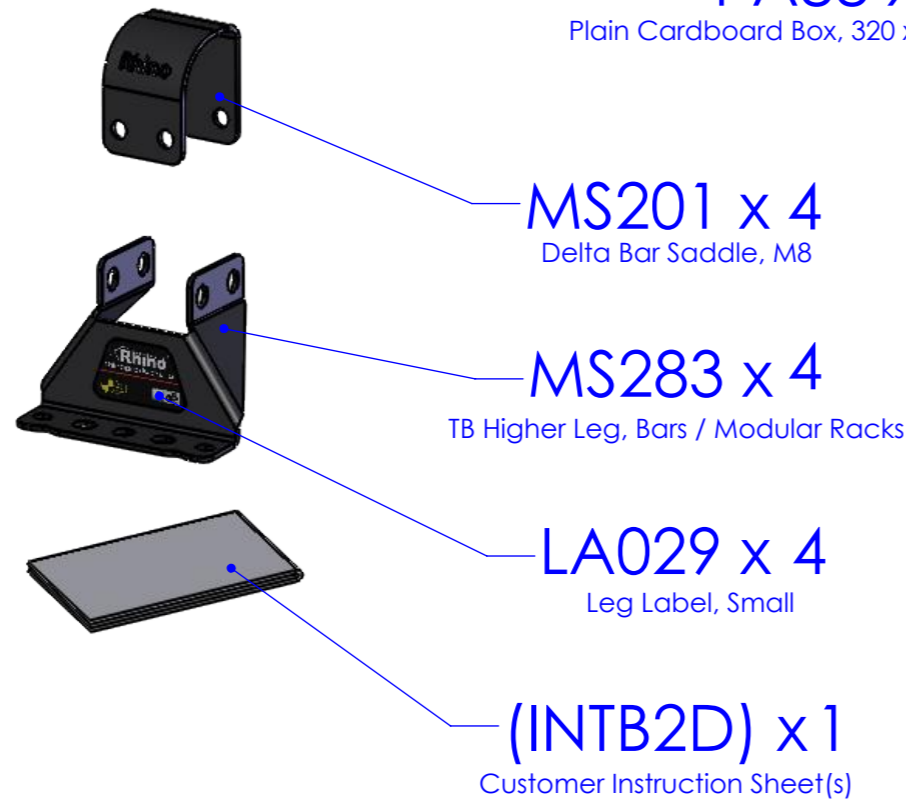
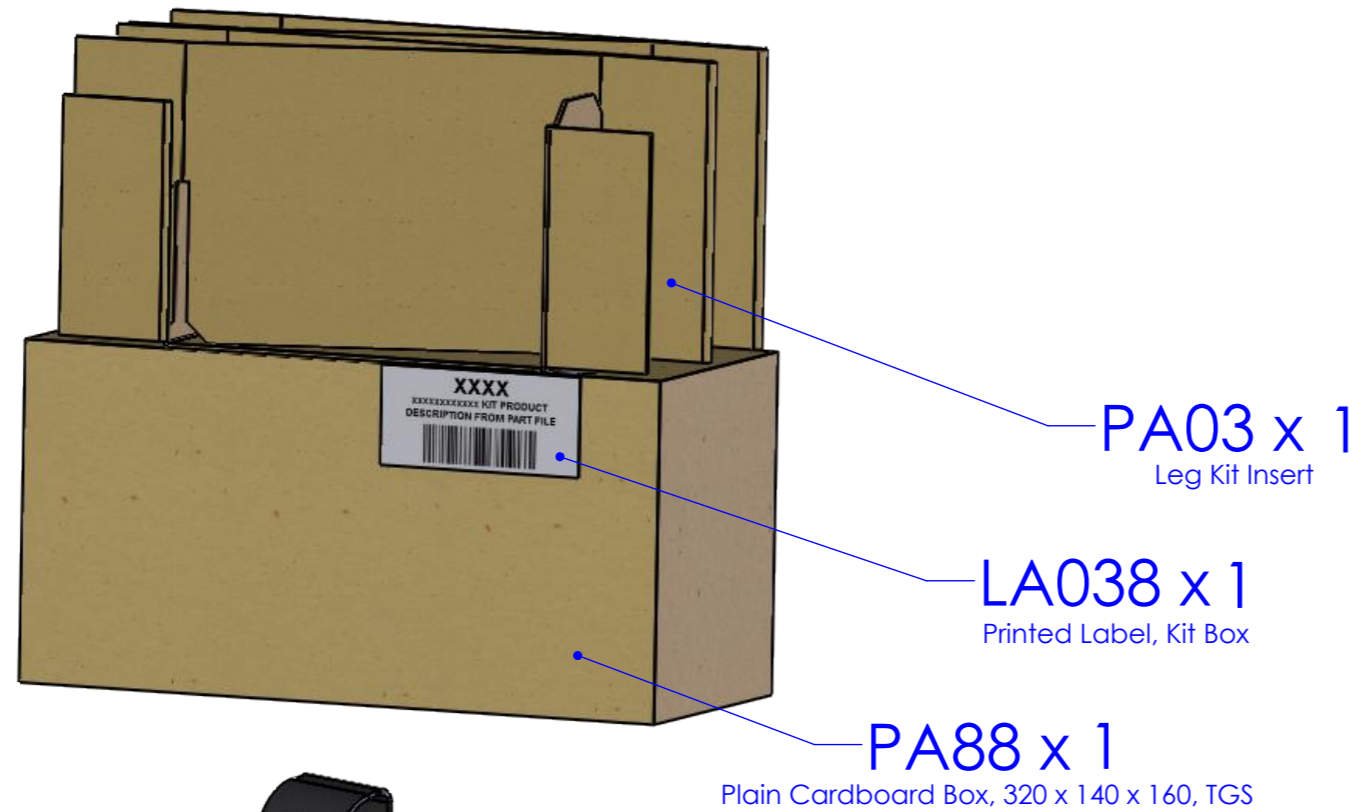


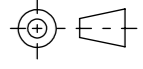
ISSUE:	DRAWN BY:	CHECKED BY:	CRF NO:	DATE:	DESCRIPTION:
a	MD	KB	0686	13/12/12	
b	CH	KB	1054	04/03/15	Updated to show FS067 in fitting kit
c	CH	KB	1135	21/09/15	Updated to show fitting kit containing rubber washers
d	CH	KB	1258	13/04/16	Updated to show FS015 M8 x 25 and revised PS140 in fitting kit



- Notes: 1. Fit Labels to Legs as shown above.
 2. Fold Printed Label along edge of Kit Box.
 3. Put through heat tunnel.



DRAWING NO: TB2D (1 of 3)	DESCRIPTION: 2 Bar "TB" Kit, Delta Bars		DESIGNED BY: M. Davies 13/12/12
MATERIAL SIZE: n/a	MATERIAL SPEC: n/a	FINISH: n/a	WEIGHT: 3.12Kg
© NOTE: This drawing is the property of Rhino Products Ltd and must not be used or copied without written consent. The Rhino Products name and logo must remain clearly visible in any reproduction.			

 THIRD ANGLE PROJECTION	
UNLESS OTHERWISE SPECIFIED: DIMENSIONS ARE IN MM	
0.00	±0.2
0.0	±0.5
ANG	±0.5°
DERIVED DIMENSIONS SHOWN IN BRACKETS	
DEBURR AND BREAK ALL SHARP EDGES	
SHEET SIZE A3	SHEET SCALE: 2:7



MS201 x 4



MS283 x 4



PS140 x 4

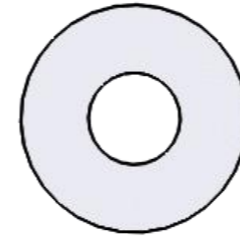


PS023 x 4

(1:1)



FB003 (M8 x 65) x 8



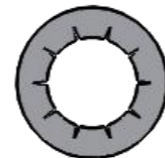
FW002 (M8) x 24



FN006 (M8) x 8



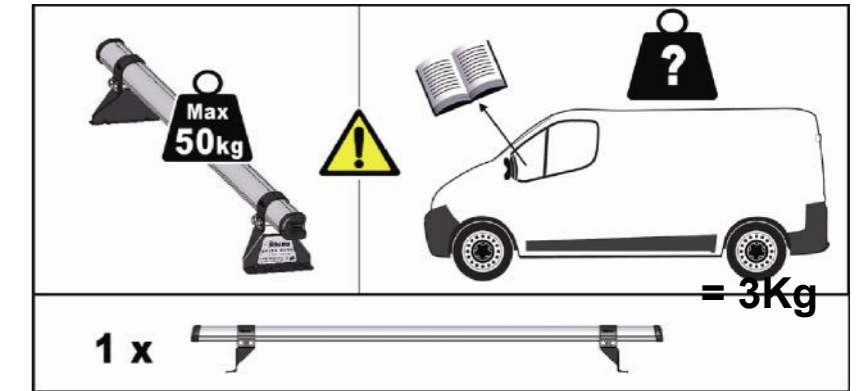
FS015 (M8 x 25) x 8



FW009 (M8) x 8



PS208 x 8



5mm x 1



13mm x 2

